

# EVA

## Podiatry armchair

### DESCRIPTION

High-end chiropodist armchair equipped with 3 motors that control the height, the inclination of the backrest and the inclination of the seat.

Footrests adjustable in height independently by gas piston and folding armrests.



### CHARACTERISTICS

#### MATERIAL

Fast recovery high density foam.  
Upholstered PVC fire retardant

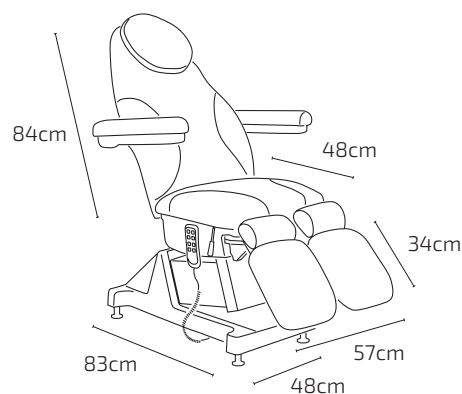
#### SPECIFICATIONS

Removable headrest cushion and facial hole

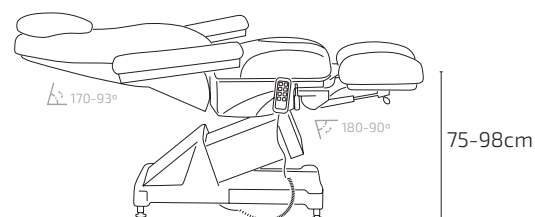
Wired control included

#### COLOUR

White



172-180cm



75-98cm