

# NILSA

## Fixed bed

### DESCRIPTION

Bed with 2 bodies with stable and robust structure.

Fixed height The inclination of the backrest is regulated manually. Lower shelf for storage.



### CHARACTERISTICS

#### MATERIAL

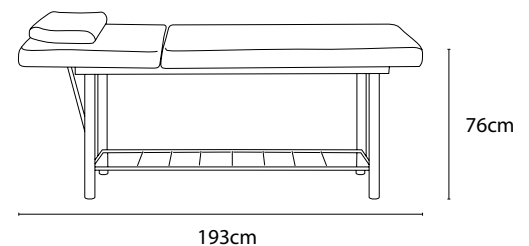
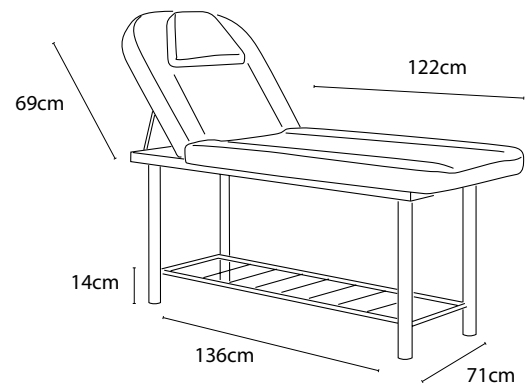
Upholstered PVC fire retardant  
Fast recovery high density foam

#### SPECIFICATIONS

Removable headrest cushion and facial hole

#### COLOUR

White



PESO · WEIGHT · POIDS



16 Kg base  
18 Kg Cushion

VOLUMEN · VOLUME



0,37m<sup>3</sup>

CAJAS · BOXES · CARTONS



1. 153 x 58 x 15cm | base  
2. 127 x 76 x 25cm | cushion