

Salon Ambience

100% MADE IN ITALY 



Brooklyn: Hairdressing mirror

The Brooklyn was born to amaze! The customizable and eye-catching workunit comes with simple and essential shapes of the white ash melamine structure, and is available in four versions: single or double wall mirror, and two or four position island unit. On top of that, the Brooklyn comes with either round or rectangular mirrors. If you are looking for a refined taste, the round mirror is the one for you. If you prefer the pure geometries instead, choose the rectangular mirror, which has plenty of space to store the products. Footrest in stainless steel included.

ARTICOLI

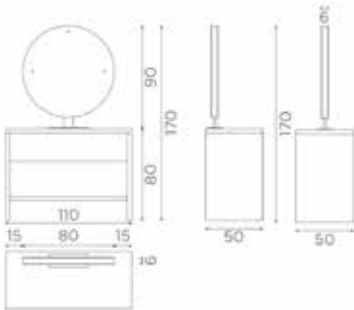
All Salon Ambience mirrors come with footrest included!

MATERIALS

White ash melamine structure
Mirror with safety film

IN FOTO: MI/484

Le immagini sono fornite al solo scopo illustrativo e non costituiscono elemento contrattuale



V&K KAPPERS

De Marowijne 11b | 1689AR Zwaag | Info@vakkappers.nl | 085-877 0258